

专业制作除尘除静电设备的研发生产型企业

DMT DM Type

Series: 450mm,650mm,850mm,1000mm,1200mm,1300mm,1500mm,1750mm,1800mm



- 特别适用于薄膜等片材
- 双面清洁, 去除静电
- 载有3个离子风棒, 除静电效果卓越
- 滚轮替换、清洁非常方便
- 操作简单的控制系统

FEATURES

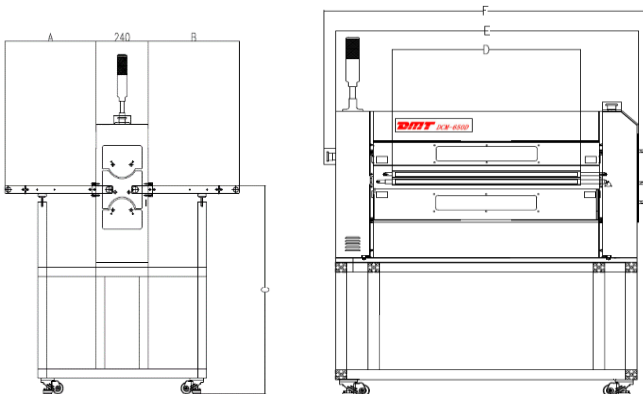


- 필름 등 sheet소재에 많이 사용됨
- 양면 크리닝, 정전제거
- 3개의 Ionizer bar를 장착하여 정전기 제거능력이 뛰여남
- Roller 교체 및 크리닝이 매우 편리함
- 간단한 작업시스템



- Especially applicable for sheet ,such as film
- Double-sided clean, Remove static
- With three ionbar, favorable effect for removing static
- Roller replacement, special convenient to clean
- Control system is easy to operation

SPECIFICATION



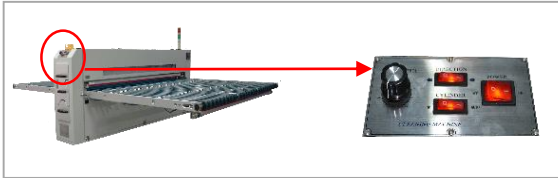
MODEL	A	B	C	D	E	F
450	450	450	900	450	850	912
650	450	450	900	650	1050	1112
850	450	450	900	850	1250	1312
1000	450	450	900	1000	1400	1462

CLEANING MACHINE



专业制作除尘除静电设备的研发生产型企业

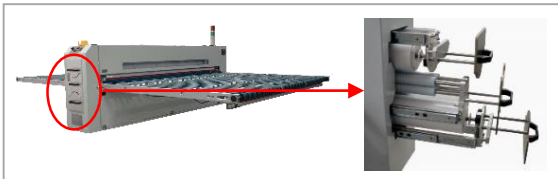
ADVANTAGES



操作简单方便

작업이 간단하고 편리함

Operation is simple and convenient



清洁滚轮和粘尘纸卷管理方便

Cleaning roller와 Adhesive Tape 관리가 편리함

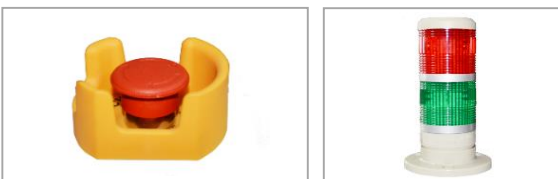
Cleaning roller and Adhesive Tape easy management



可实现计数，感应停止

카운터기능, 감지정지

The count function, Induction to stop



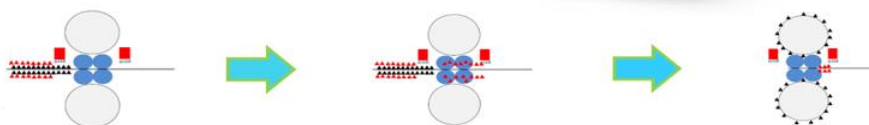
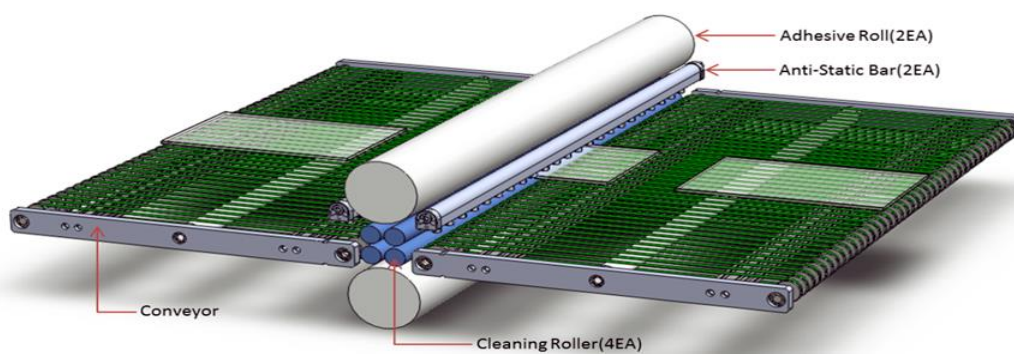
急停保护装置及指示灯

비상정지스위치 및 표시등

Emergency switch and Emergency siren



MECHANISM



APPLICATIONS

